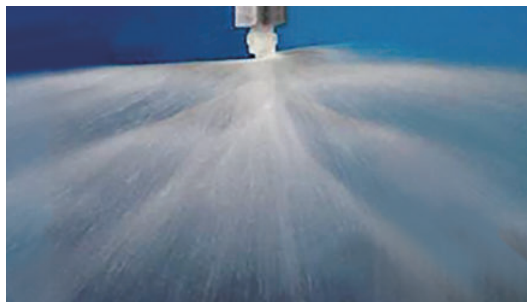
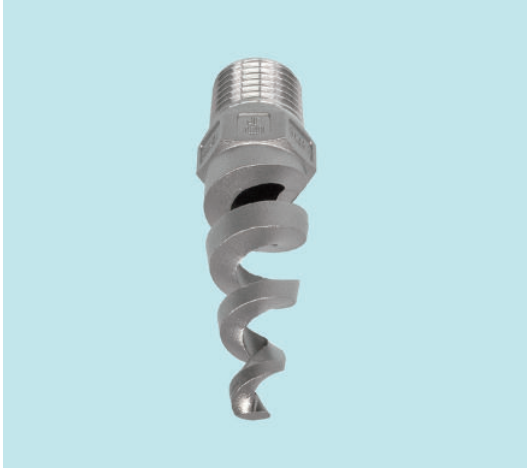


# Wide Spray Coverage

at low water pressure

# Clog-resistant Wide-angle Full Cone Spray Nozzles

## UZUJP series



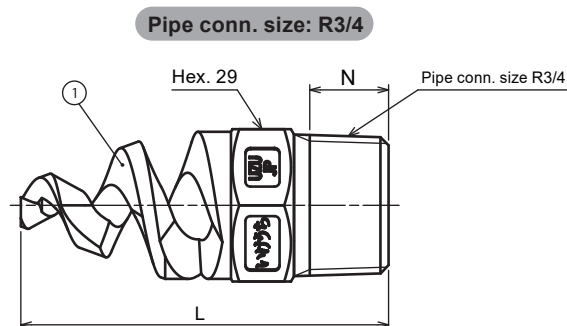
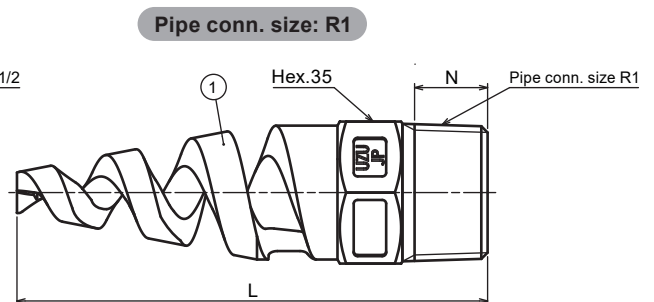
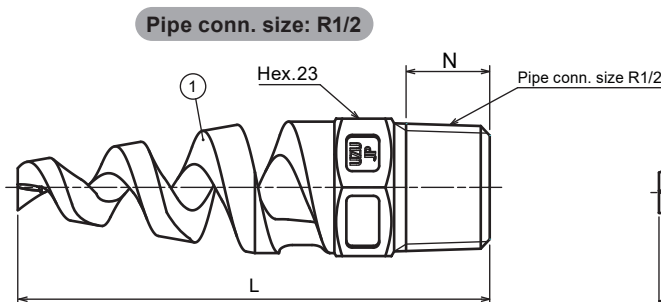
### Features

- Spray covers a large area even at a low water pressure.
- The number of required nozzles is minimized, reducing system installation costs.
- The no-whirler design, with its compact form, allows for a high spray flow rate and reduces the risk of clogging.

### Applications

- Fire extinguishing, water spraying (Coal tower at steel mills, conveyor belt, and more)
- Exhaust gas cleaning and cooling
- Dust suppression
- Applications where clogging is a concern

### Dimensions and Weight



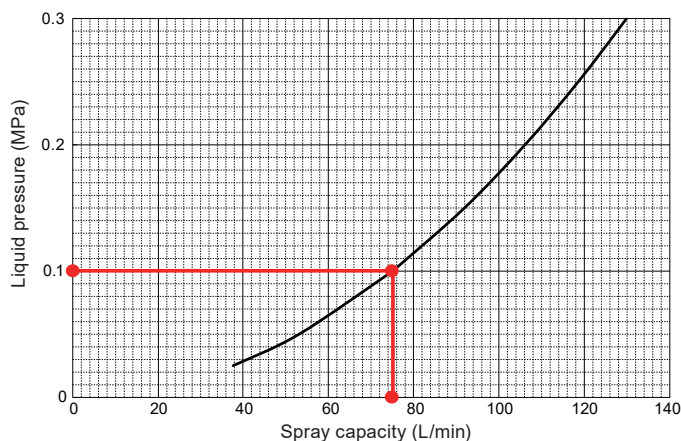
① Nozzle (Material: SCS16\*)

| Pipe conn. sizes | Spray angle code | Spray capacity code | Dimensions (mm) |      | Approx. weight (g) |
|------------------|------------------|---------------------|-----------------|------|--------------------|
|                  |                  |                     | N               | L    |                    |
| R1/2             | 120              | 75                  | 14              | 63.5 | 75                 |
|                  | 170              | 75<br>100           | 14              | 79   | 80                 |
| R3/4             | 120              | 100                 | 15              | 70   | 140                |
| R1               | 170              | 220                 | 18              | 116  | 250                |

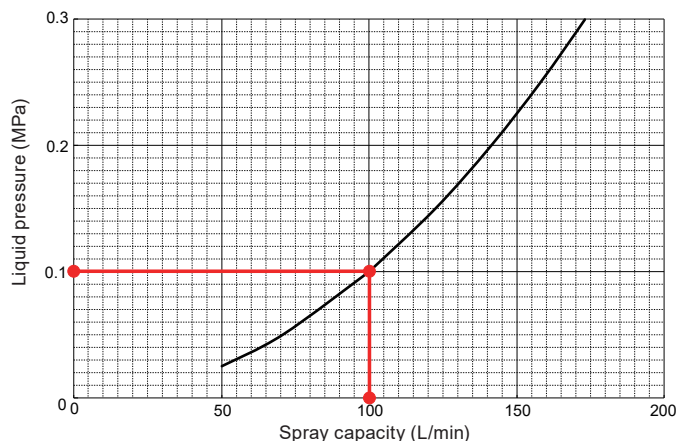
\*Cast stainless steel equivalent to S316L.  
Note: Optional cap can be added upon request.

## Flow-rate Diagrams

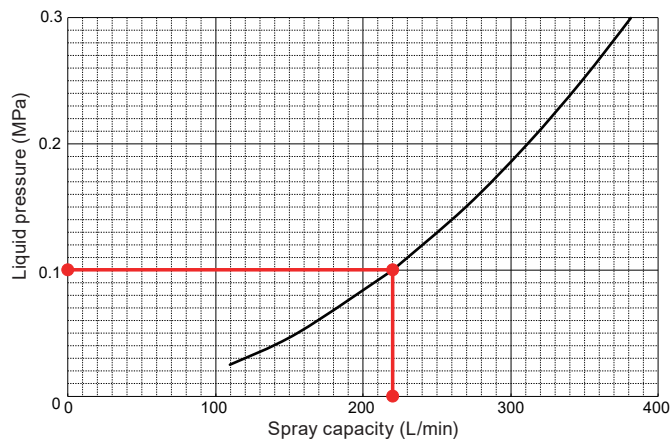
■ UZUJP12075/17075



■ UZUJP120100/170100



■ UZUJP170220



## Specifications

| Spray angle code | Spray capacity code | Pipe conn. size | Spray angle (°) |          |         |         | Spray capacity (L/min) |          |         |         |         | Free passage diameter (mm) |
|------------------|---------------------|-----------------|-----------------|----------|---------|---------|------------------------|----------|---------|---------|---------|----------------------------|
|                  |                     |                 | 0.03 MPa        | 0.05 MPa | 0.1 MPa | 0.3 MPa | 0.03 MPa               | 0.05 MPa | 0.1 MPa | 0.2 MPa | 0.3 MPa |                            |
| 120              | 75                  | R1/2            | 109             | 120      | 120     | 120     | 41.1                   | 53.0     | 75.0    | 106     | 130     | 4.3                        |
|                  | 100                 | R3/4            | 109             | 117      | 120     | 120     | 54.8                   | 70.7     | 100     | 141     | 173     | 5.1                        |
| 170              | 75                  | R1/2            | 159             | 167      | 170     | 170     | 41.1                   | 53.0     | 75.0    | 106     | 130     | 5.0                        |
|                  | 100                 | R1/2            | 159             | 167      | 170     | 170     | 54.8                   | 70.7     | 100     | 141     | 173     | 5.2                        |
|                  | 220                 | R1              | 159             | 167      | 170     | 170     | 120                    | 156      | 220     | 311     | 381     | 7.3                        |

**How to Order** To inquire about or order a specific nozzle please refer to this coding system.

(Example) 1/2M UZUJP 17075 SCS16

**1/2M UZUJP 170 75 SCS16**

Pipe conn. size\*\*

- 1/2M
- 3/4M
- 1M

Spray angle code

- 120
- 170

Spray capacity code

- 75
- 100
- 220

Material

\*\*"M" indicates male thread ("R" of the ISO standard), e.g. 1/2M = R1/2.

Specifications, contents, and appearance of this product and leaflet are subject to change without prior notice for purpose of product improvement.

Please feel free to send any inquiry, request for information or quote on this product to the contacts below.

### Headquarters



"The Fog Engineers"  
**H. IKEUCHI & CO., LTD.**

Daiichi Kyogyo Bldg., 1-15-15, Awaza, Nishi-ku, Osaka 550-0011, Japan

Tel: 81-6-6538-4015 Fax: 81-6-6538-4022

E-mail: [overseas@kirinoikeuchi.co.jp](mailto:overseas@kirinoikeuchi.co.jp)

URL: <https://www.kirinoikeuchi.co.jp/eng/>

We have our branches and affiliate companies around the world—in China, USA, The Netherlands, Thailand, Indonesia, and more.

Please see our website for the nearest contact.

<https://www.kirinoikeuchi.co.jp/eng/company/location/>